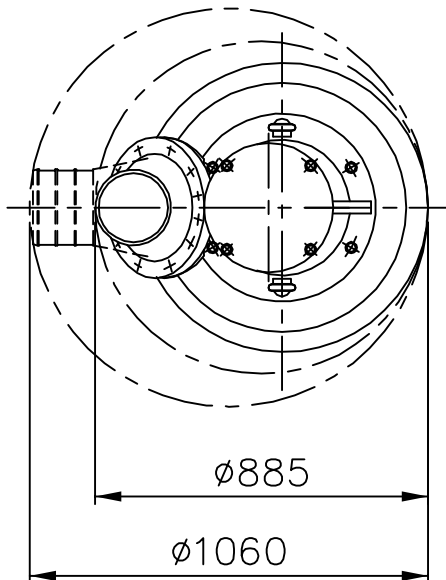
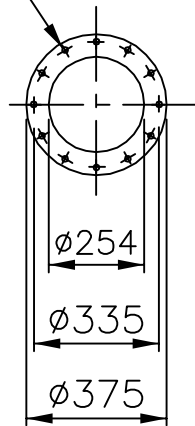



5/8 UNC (12x)

VIEW  $\boxtimes$ - $\boxtimes$



SCREEN OPENING 15x45

Weight (kg)
Total
540

 AUTOCAD DRAWING	Denomination Dimensional drwg BS 2250.011 MT Dia 200,Std,Strainer	Drawn by MN Scale 1:20 5523100	Checked by Reg no 5299	Date 890530 0
---	--	---	------------------------------	------------------