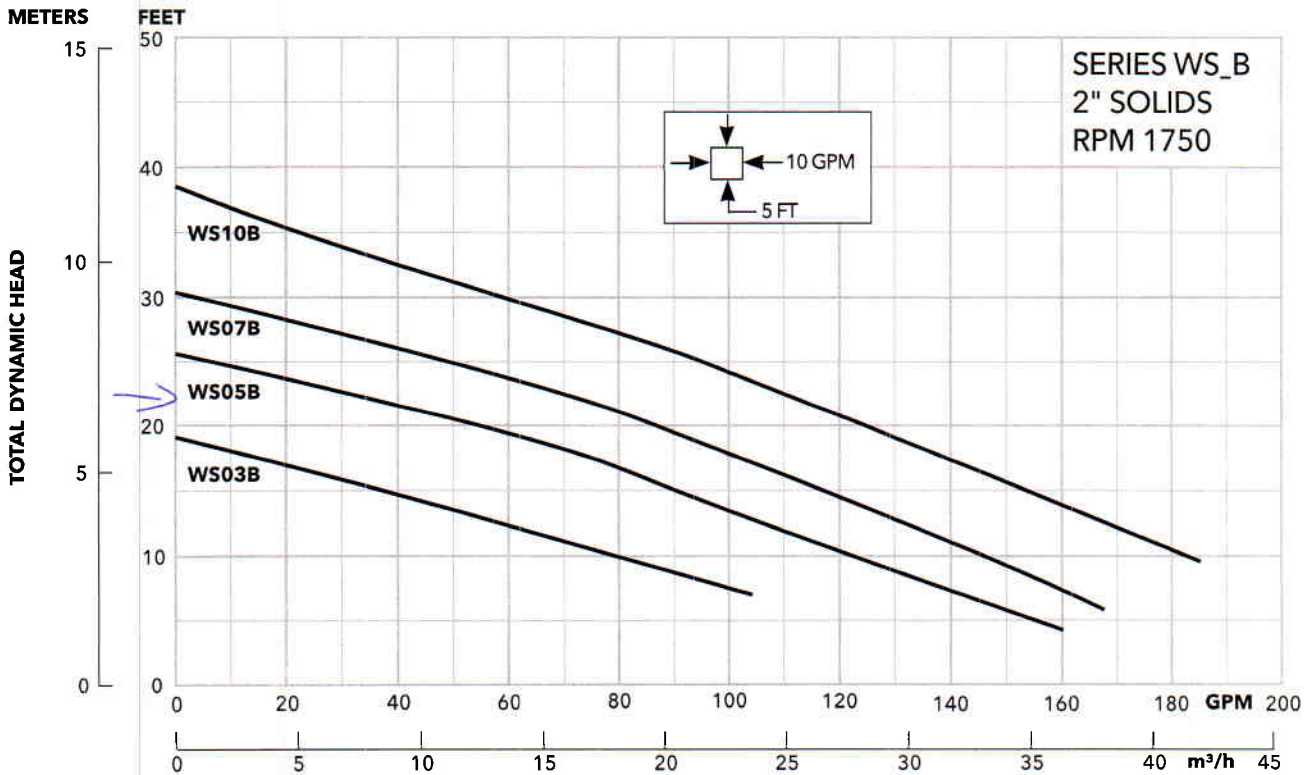


### MODELS

Order Number	HP	Phase	Volts	RPM	Impeller Dia. (In.)	Max. Amps	LRA	KVA Code	Full Load Motor Eff.	Resistance		Wt. (Lbs.)
										Start	Line-Line	
WS0311B	0.33	1	115	1750	4.69	10.7	30.0	M	54	11.9	1.7	63
WS0318B			208			6.8	19.5	K	51	9.1	4.2	
WS0312B			230			4.9	14.1	L	53	14.5	8.0	
WS0511B	0.5	1	115		5.00	14.5	31.1	J	55	9.3	1.4	65
WS0518B			208			8.0	19.5	K	51	9.1	4.2	
WS0512B			230			7.3	16.5	J	54	11.7	5.6	
WS0538B		3	200			3.8	12.3	K	75	NA	6.7	
WS0532B			230			3.3	9.7	K	75	NA	9.9	
WS0534B			460			1.7	4.9	K	75	NA	39.4	
WS0537B		575	1.4		4.3	K	68	NA	47.8			
WS0718B	0.75	1	208		5.38	11.0	39.0	K	65	2.6	1.4	85
WS0712B			230			9.4	24.8	J	57	4.8	2.3	
WS0738B			200			4.1	21.2	H	74	NA	4.3	
WS0732B		3	230			3.6	17.3	J	76	NA	5.6	
WS0734B			460			1.8	8.9	J	76	NA	22.4	
WS0737B			575	1.5		7.3	J	71	NA	29.2		
WS1018B	1	1	208	5.75	14.0	39.0	K	65	2.6	1.4	85	
WS1012B			230		12.3	30.5	H	60	4.3	1.8		
WS1038B			200		6.0	21.2	H	74	NA	4.3		
WS1032B		3	230		5.8	17.3	J	76	NA	5.6		
WS1034B			460		2.9	8.9	J	76	NA	22.4		
WS1037B			575		2.4	7.3	J	71	NA	29.2		

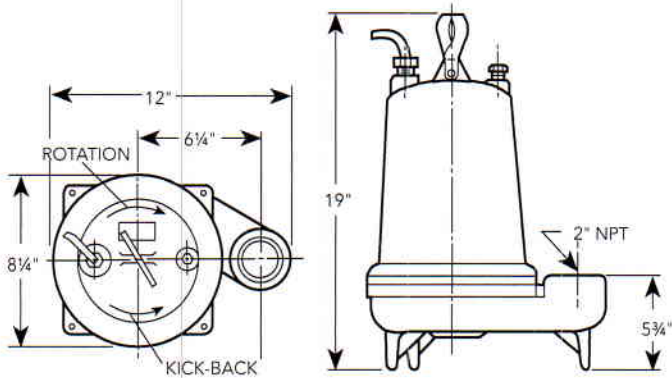


**PERFORMANCE RATINGS** (gallons per minute)

Order No.	WS03B	WS05B	WS07B	WS10B
HP ▶	1/8	1/4	3/8	1
RPM ▶	1750	1750	1750	1750
Total Head Feet of Water	10 ▶	80	122	145
	15	36	90	116
	20	-	50	86
	25	-	-	48
	30	-	-	-
	35	-	-	-

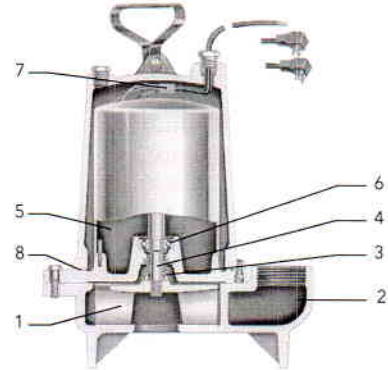
**DIMENSIONS**

(All dimensions are in inches. Do not use for construction purposes.)



**COMPONENTS** (for reference only)

Item No.	Description
1	Impeller
2	Casing
3	Mechanical Seal
4	Motor Shaft
5	Motor
6	Ball Bearings
7	Power Cable
8	Casing O-Ring



NOTE: For specific parts breakdown, see repair parts.



Xylem, Inc.  
 2881 East Bayard Street Ext., Suite A  
 Seneca Falls, NY 13148  
 Phone: (866) 325-4210  
 Fax: (888) 322-5877  
[www.xylem.com/brands/gouldswatertechnology](http://www.xylem.com/brands/gouldswatertechnology)  
 Goulds is a registered trademark of Goulds Pumps, Inc. and is used under license.  
 © 2012 Xylem Inc. B3886 R1 April 2012